

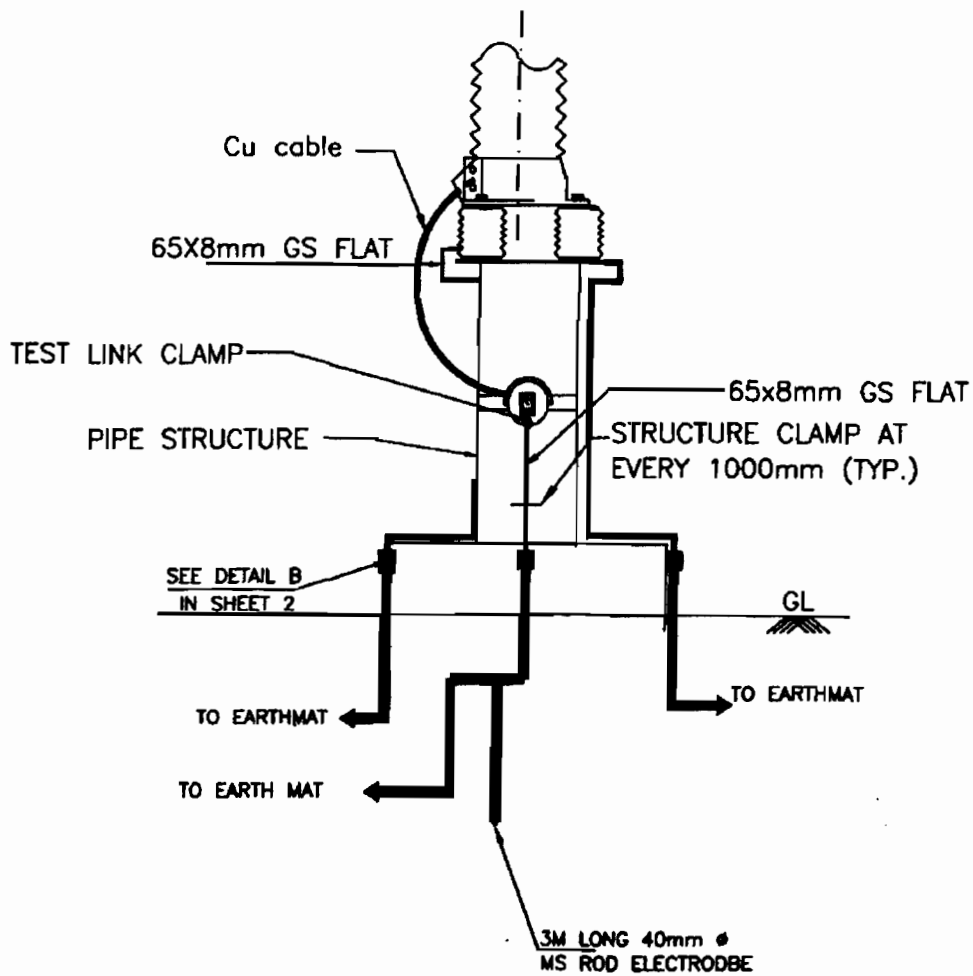
- NOTE:
- (1) ROD ELECTRODE = 1 NOS./PHASE
 - (2) NO. OF RISERS = 2 NOS PER PHASE FOR CVT WITHOUT LMU.
 - (3) NO. OF RISERS = 3 NOS PER PHASE FOR CVT WITH LMU.
 - (4) NO. OF RISERS FOR CVT JUNCTION BOX = 2 NOS.



EQUIPMENT EARTHING DETAILS
400KV CVT

COMPUTER REF. NO.	DRG. No.	TB-4-330-316-011	REV. 01	SHEET No. 3
-------------------	----------	------------------	---------	----------------

Signature



NOTES;

1. LA SHALL BE EARTHED THROUGH EARTH TERMINAL OF SURGE COUNTER
2. NO. OF ROD ELECTRODE 1 NO. PER PHASE,
3. TEST LINK SHALL HAVE PROVISION TO BOLT TEST LEAD BEFORE ISOLATING THE MAIN EARTHING CONNECTIONS.
4. NO. OF RISERS= 3 NOS. PER PHASE



EQUIPMENT EARTHING DETAILS
 LIGHTNING ARRESTER(336³⁶⁰KV)

COMPU. DRG. REF.

DRG.NO.

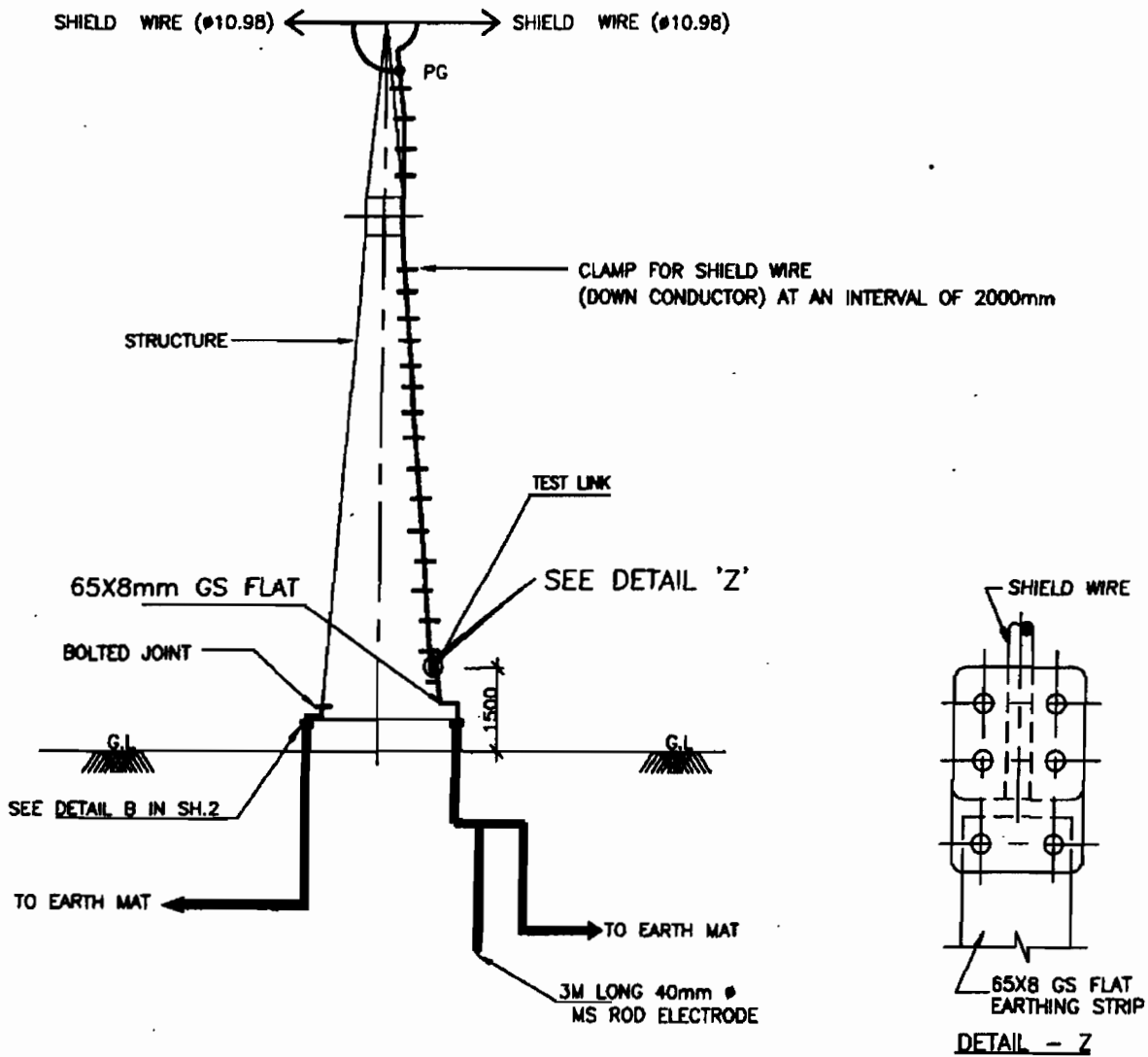
TB-4-330-316-011

REV. 01

SHEET No.

5

Send W



NOTE:

1. NO. OF ROD ELECTRODE : 1 NO. PER TOWER WITH DOWN CONDUCTOR.
2. NO. OF RISERS 2 NOS. / TOWER



EQUIPMENT EARTHING DETAILS
TOWER WITH SHIELD WIRE

COMPUTER REF. NO.

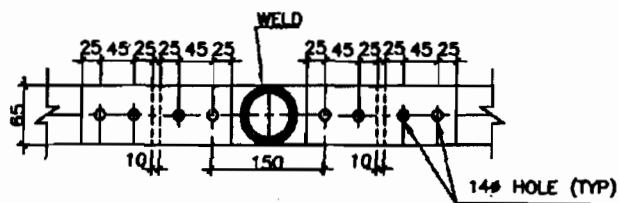
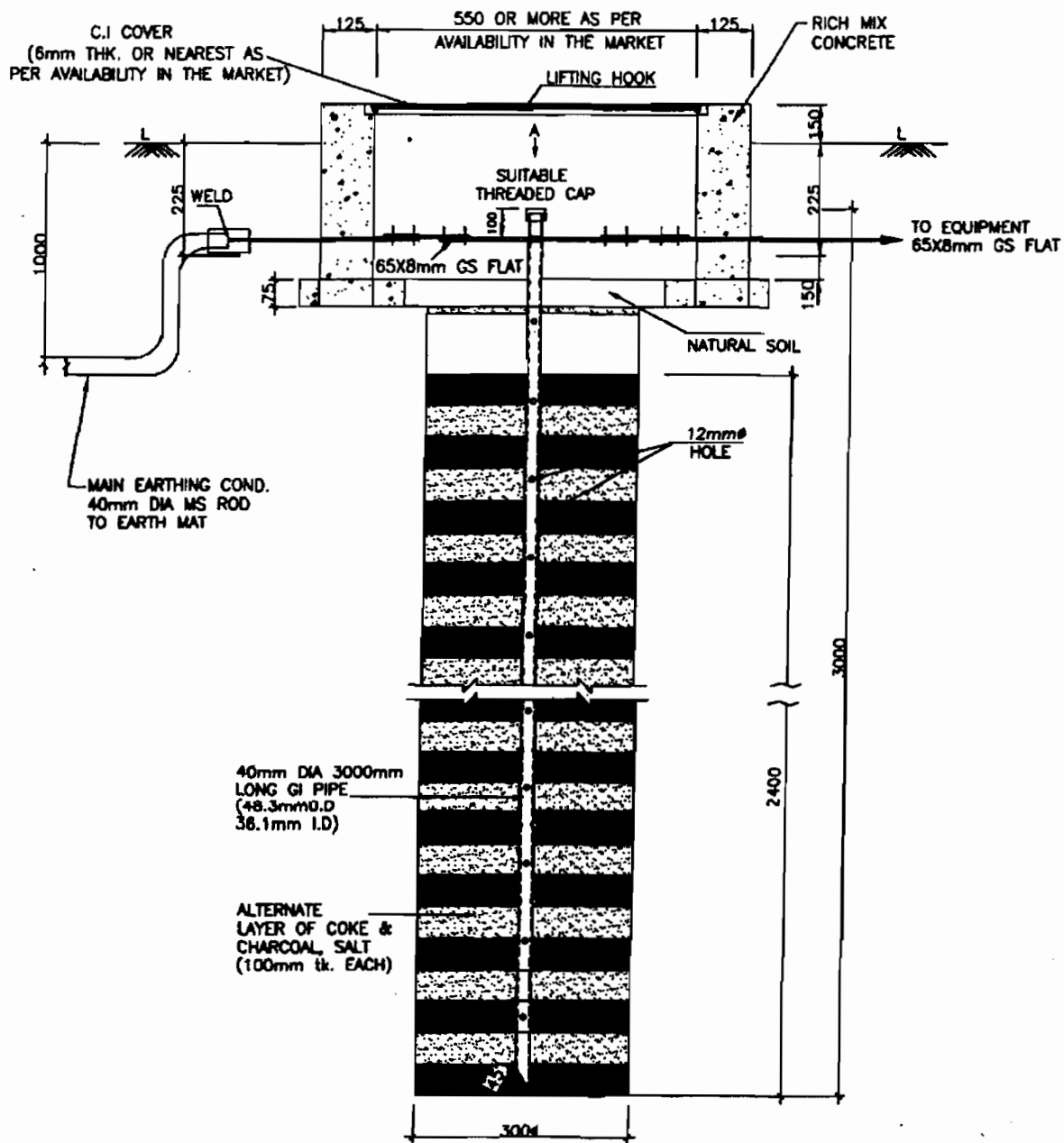
DRG. No.

TB-4-330-316-011

REV. 01

SHEET No.
8

Sano M



VIEW-A

NOTE:

1. ALL NUTS, BOLTS AND WASHERS SHALL BE GALVANISED AS PER SPECIFICATION.
2. TO BE USED FOR CONNECTING TO NEUTRAL OF LT TRANSFORMER/SHUNT REACTOR.



EQUIPMENT EARTHING DETAILS
DETAILS OF PIPE EARTH ELECTRODE
IN TREATED EARTH PIT (ET)

COMPUTER REF. NO.

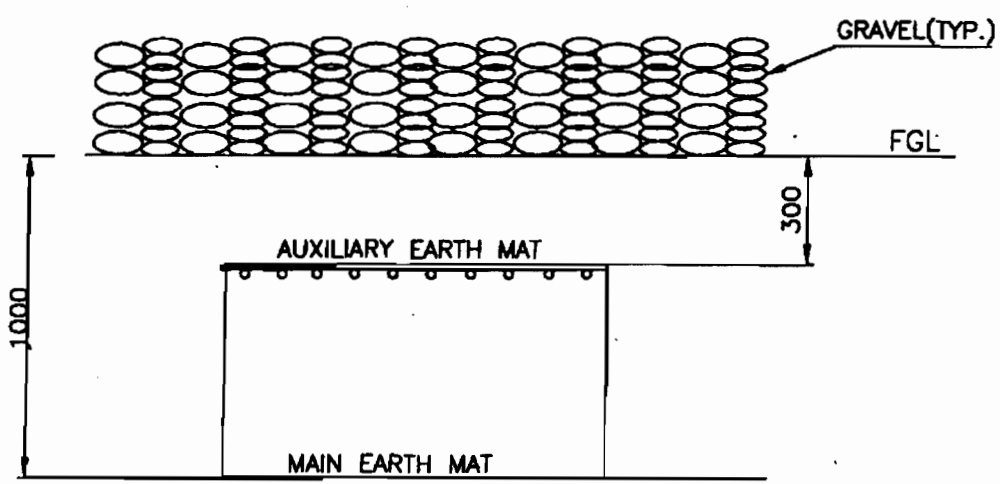
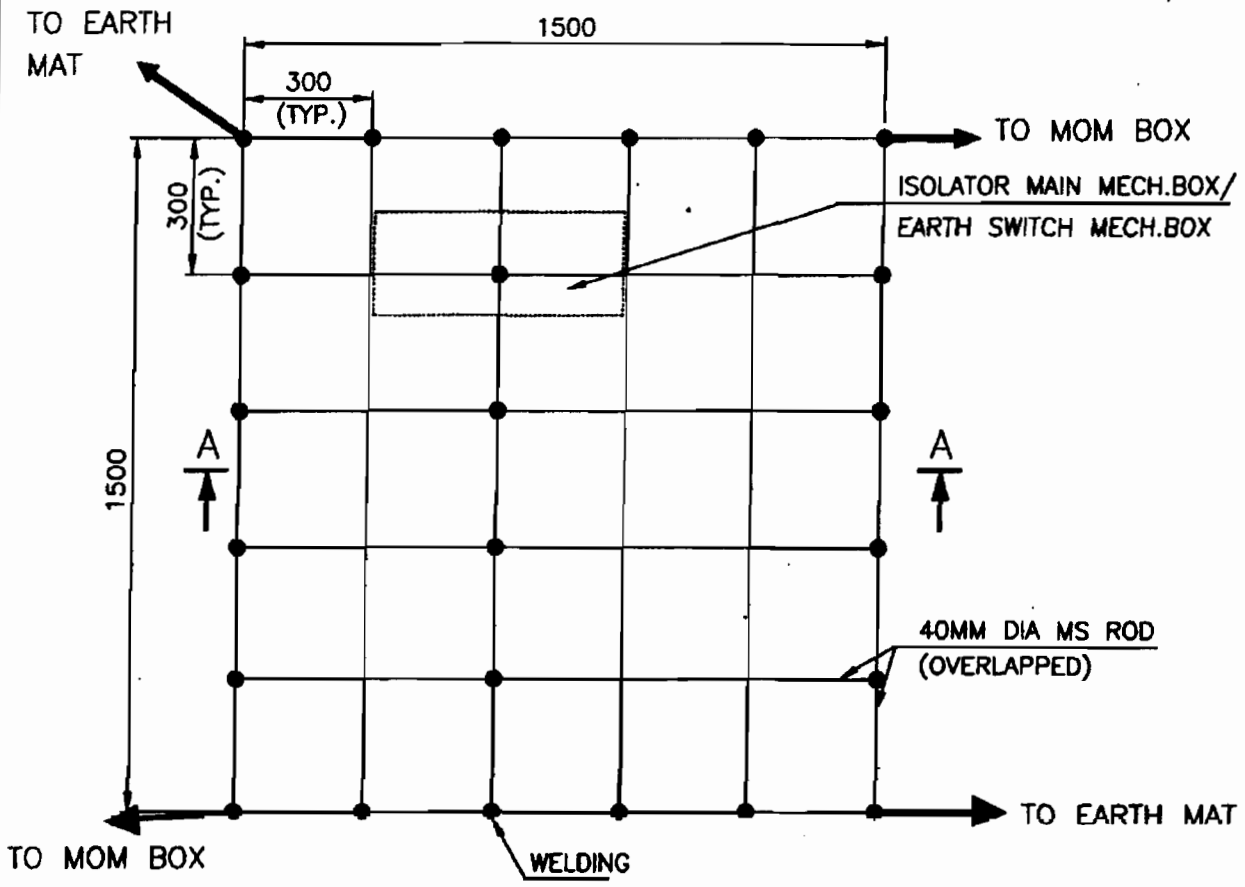
DRG. No.

TB-4-330-316-011

REV. 01

SHEET No.
11

Signature



SECTION AA

NOTE:

AUX. EARTH MAT SHALL BE SO POSITIONED THAT THE FOOT OF THE OPERATOR ALWAYS LIE OVER THE AUX. EARTH MAT AREA WHILE ATTENDING / OPERATING THE MECH. BOX THE CABLE TRENCH ROUTING SHALL BE PLANNED ACCORDINGLY.



EQUIPMENT EARTHING DETAILS
 AUXILIARY EARTH MAT FOR ISOLATOR MAIN MECH.,E/S
 MECH. BOX

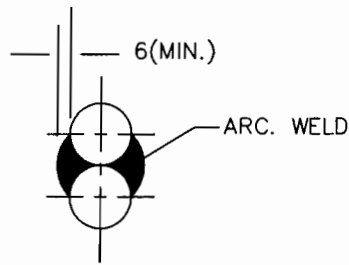
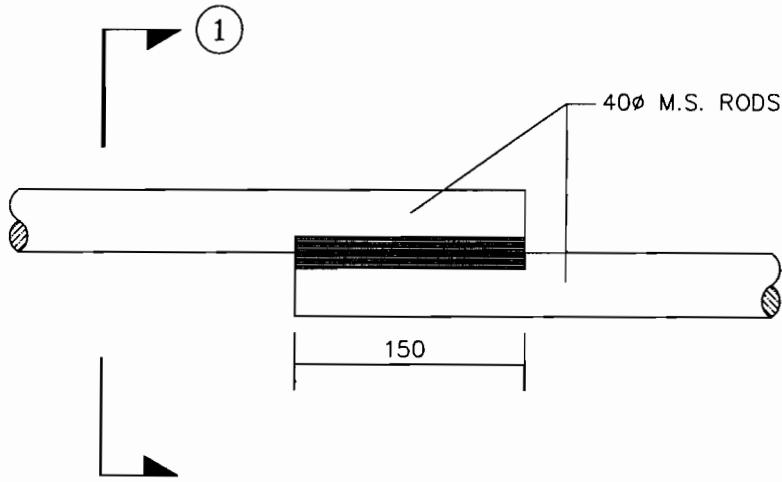
COMPU. DRG. REF.

Report No. TB-4-330-316-011

REV. 01

SHEET No. 14

Soni




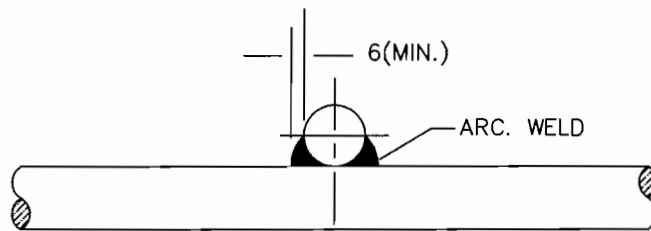
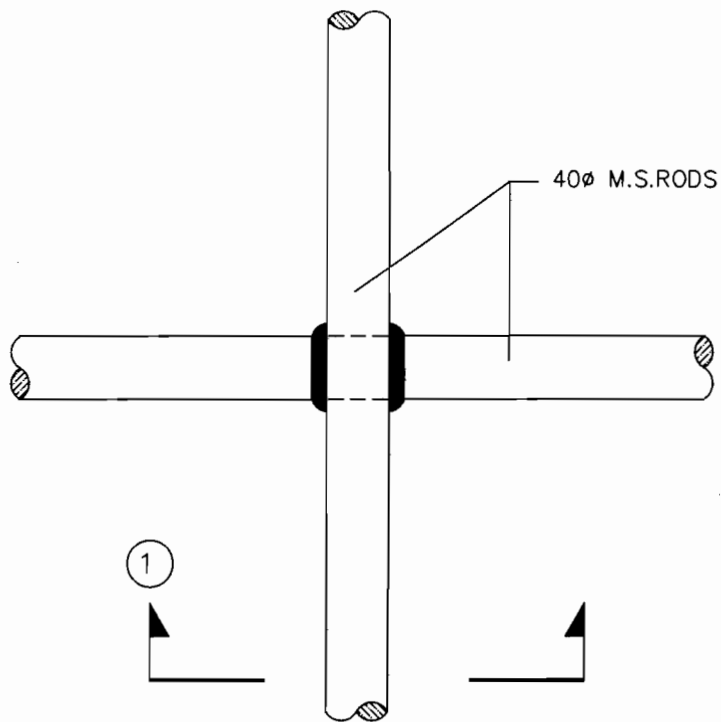
SECTION - ①

LAP JOINT
BETWEEN M.S. RODS

FOR TENDER PURPOSE ONLY

Semi

					GROUNDING NOTES & DETAILS		 DEVELOPMENT CONSULTANTS PVT. LTD. CONSULTING ENGINEERS	
					WEST BENGAL POWER DEVELOPMENT CORP. LTD.		JOB NO. K8A07	
					SAGARDIGHI THERMAL POWER PROJECT		SCALE : NONE	
					EXT. UNITS-3 & 4 [2x500MW]		DWG. NO. K8A07-DWG-E-0600	
							SHT. 04 OF 26	
							REV.	
NKB	SG	SH	-	11.06.09				
APPVD.	REVWD.	CHKD.	REV.	DATE				




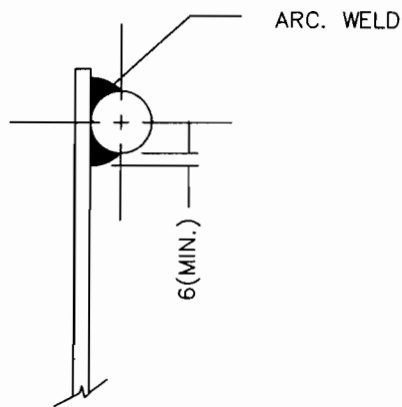
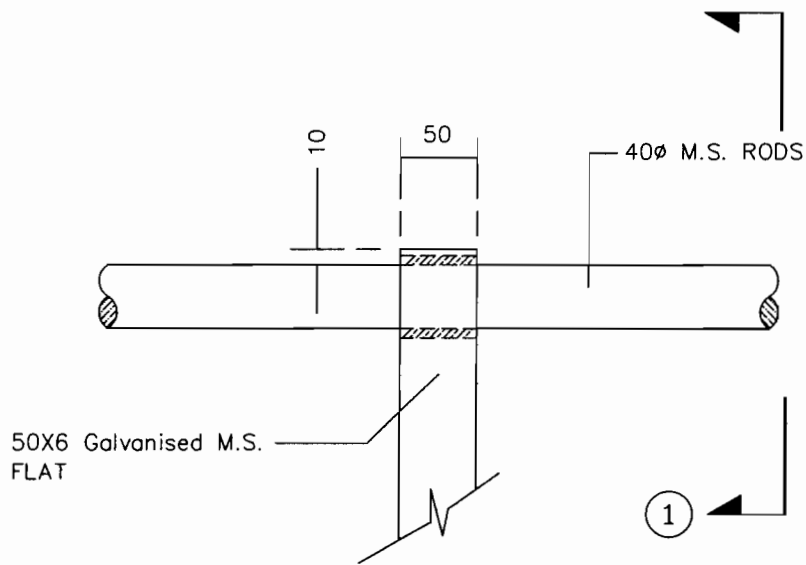
SECTION - ①

CROSS JOINT
BETWEEN M.S. RODS

FOR TENDER PURPOSE ONLY

Sanyu W

					GROUNDING NOTES & DETAILS		 DEVELOPMENT CONSULTANTS PVT. LTD. CONSULTING ENGINEERS	
					WEST BENGAL POWER DEVELOPMENT CORP. LTD.		JOB NO. K8A07 SCALE : NONE	
NKB	SG	SH	-	11.06.09	SAGARDIGHI THERMAL POWER PROJECT		DWG. NO. K8A07-DWG-E-0600 REV.	
APPVD.	REVWD.	CHKD.	REV.	DATE	EXT. UNITS-3 & 4 [2x500MW]		SHT. 05 OF 26 REV. -	




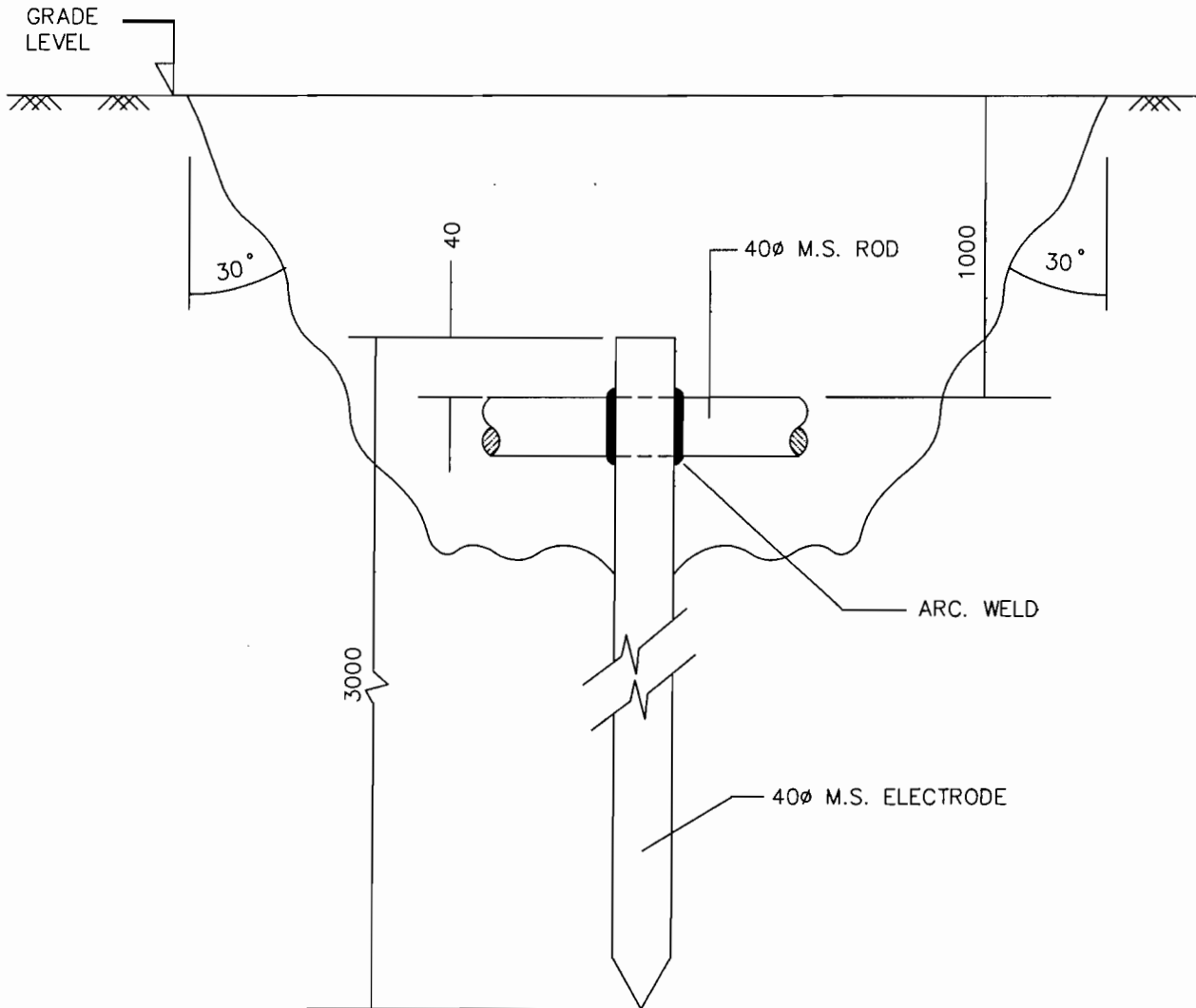
SECTION - ①

CROSS JOINT
BETWEEN M.S. ROD & GALVANISED M.S. FLATS

FOR TENDER PURPOSE ONLY

Sansin


					GROUNDING NOTES & DETAILS		 DEVELOPMENT CONSULTANTS PVT. LTD. CONSULTING ENGINEERS	
					WEST BENGAL POWER DEVELOPMENT CORP. LTD.		JOB NO. K8A07	
					SAGARDIGHI THERMAL POWER PROJECT		SCALE : NONE	
					EXT. UNITS-3 & 4 [2x500MW]		DWG. NO. K8A07-DWG-E-0600	
NKB	SG	SH	-	11.06.09			REV.	
APPVD.	REVWD.	CHKD.	REV.	DATE			SHT. 06 OF 26	

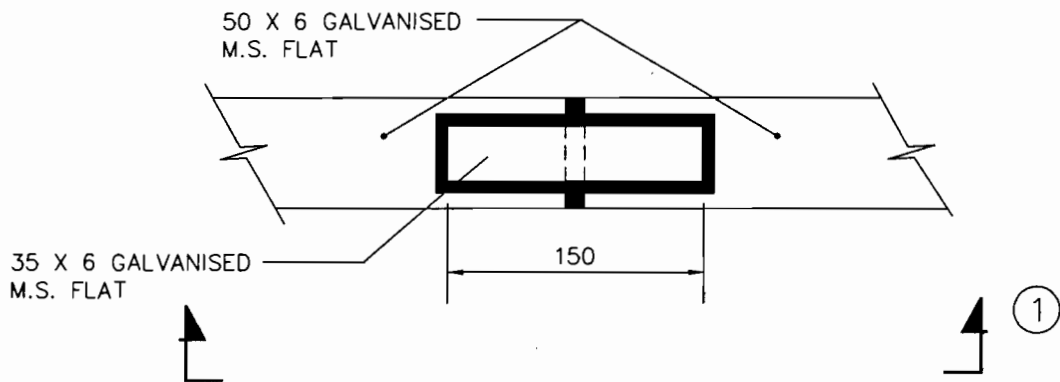


GROUND ELECTRODE

FOR TENDER PURPOSE ONLY

Sami M

					GROUNDING NOTES & DETAILS		 DEVELOPMENT CONSULTANTS PVT. LTD. CONSULTING ENGINEERS			
					WEST BENGAL POWER DEVELOPMENT CORP. LTD.		JOB NO. K8A07		SCALE : NONE	
					SAGARDIGHI THERMAL POWER PROJECT		DWG. NO. K8A07-DWG-E-0600		REV.	
					EXT. UNITS-3 & 4 [2x500MW]		SHT. 07 OF 26		-	
APPVD.	REVWD.	CHKD.	REV.	DATE						
NKB	SG	SH	-	11.06.09						




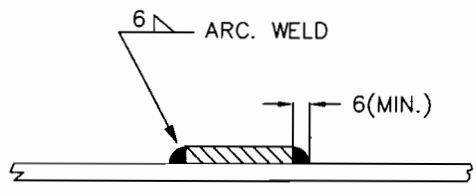
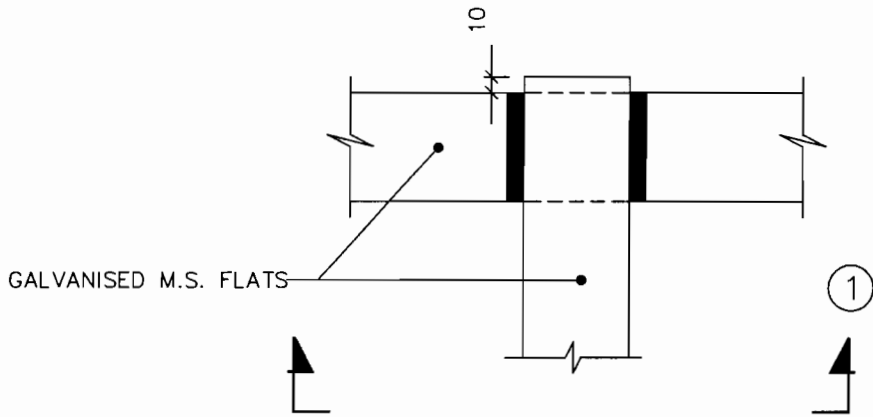
SECTION - ①

BUT JOINT
BETWEEN GALVANISED M.S. FLATS

FOR TENDER PURPOSE ONLY

Saaj W

					GROUNDING NOTES & DETAILS		 DEVELOPMENT CONSULTANTS PVT. LTD. CONSULTING ENGINEERS	
					WEST BENGAL POWER DEVELOPMENT CORP. LTD.		JOB NO. K8A07 SCALE : NONE	
NKB	SG	SH	-	11.06.09	SAGARDIGHI THERMAL POWER PROJECT		DWG. NO. K8A07-DWG-E-0600 REV.	
APPVD.	REVWD.	CHKD.	REV.	DATE	EXT. UNITS-3 & 4 [2x500MW]		SHT. 12 OF 26 -	




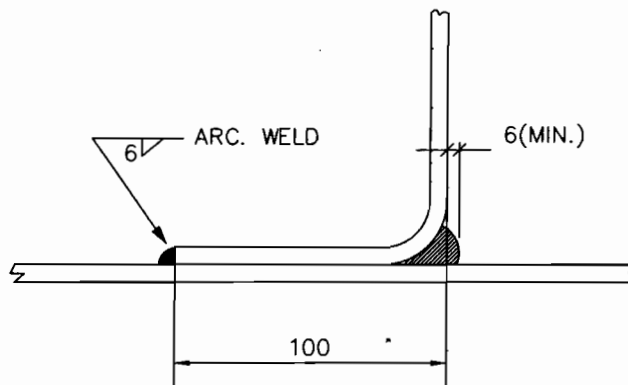
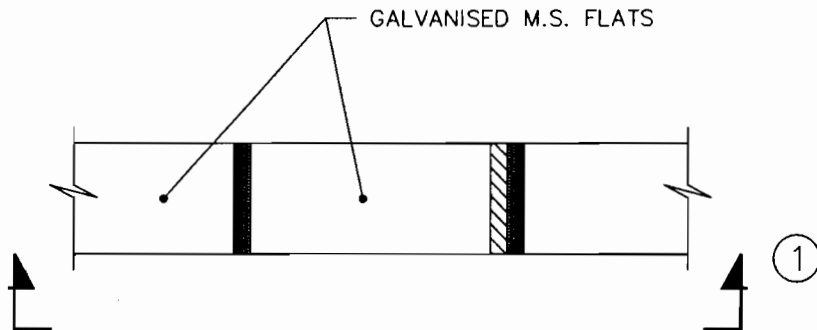
SECTION -- ①

CROSS JOINT
BETWEEN GALVANISED M.S. FLATS

FOR TENDER PURPOSE ONLY

Sanyu

					GROUNDING NOTES & DETAILS		 DEVELOPMENT CONSULTANTS PVT. LTD. CONSULTING ENGINEERS	
					WEST BENGAL POWER DEVELOPMENT CORP. LTD.		JOB NO. K8A07	
					SAGARDIGHI THERMAL POWER PROJECT		SCALE : NONE	
					EXT. UNITS-3 & 4 [2x500MW]		DWG. NO. K8A07-DWG-E-0600	
NKB	SG	SH	-	11.06.09			REV.	
APPVD.	REVWD.	CHKD.	REV.	DATE			SHT. 13 OF 26	




SECTION - ①

ANGULAR JOINT
BETWEEN GALVANISED M.S. FLATS

FOR TENDER PURPOSE ONLY

Saraj M

					GROUNDING NOTES & DETAILS		 DEVELOPMENT CONSULTANTS PVT. LTD. CONSULTING ENGINEERS	
					WEST BENGAL POWER DEVELOPMENT CORP. LTD.		JOB NO. K8A07	SCALE : NONE
					SAGARDIGHI THERMAL POWER PROJECT		DWG. NO. K8A07-DWG-E-0600	REV.
					EXT. UNITS-3 & 4 [2x500MW]		SHT. 14 OF 26	-
APPVD.	REVWD.	CHKD.	REV.	DATE				
NKB	SG	SH	-	11.06.09				